

DBG Series

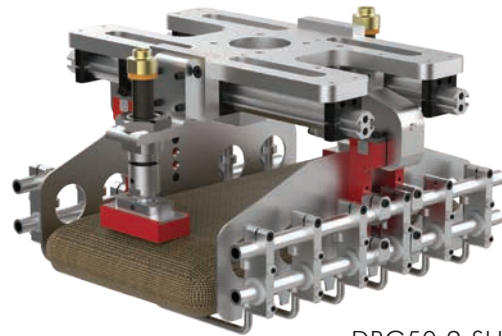
Bag Gripper and Palletizing Solutions

A New Beginning for the End of the Line

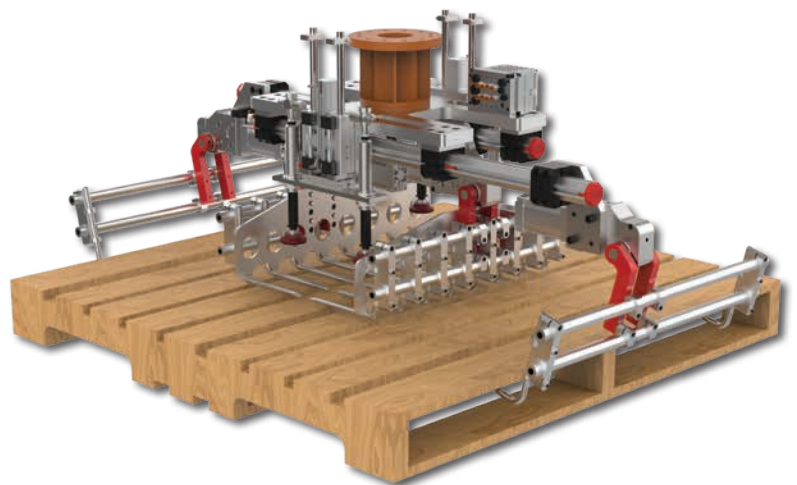
DESTACO DBG Series bag gripping end effectors offer a fast and reliable end-of-line, pick-and-place palletizing solution. The DBG bag gripper has a simplified, lightweight design using standard off-the-shelf components for a maintenance-free operation.

It is offered in two standard sizes with optional back-up, slip sheet pick and pallet pick configurations for load stabilization and slip sheet and pallet handling applications.

The DBG Series bag gripping and palletizing solutions, when used in concert with today's advanced robots, offer customers unparalleled speed and flexibility in their end-of-line operations.



DBG50-2-SU2 (Shown)



DBG100-2-PU6-SP-PP-CP (Shown)

PRODUCT HIGHLIGHTS/OPTIONS

- Simplified design - no complicated linkages
- Field adjustable finger positions and opening angle
- Pneumatic fully enclosed actuator
- Integrated open/closed position sensing



PICK & PLACE

FEATURES & BENEFITS



SPEED

- **Speed Matters** - with rapid actuation and lightweight design, the DESTACO bag gripper can palletize up to 30 bags per minute when working in concert with robotic automation.



PERFORMANCE

- **Secure Transfer** - our bag grippers utilize an enclosed, pneumatic toggle-lock power clamp with integrated open/close sensing to hold bags secure even if air pressure is lost. No need for complicated linkages.



INTERCHANGEABLE

- **More Options** - available options include pallet pick, slip sheet transfer, spring or pneumatically controlled back-up and multiple valve/control packages.



LOGISTICS



ASSEMBLY

APPLICATIONS



INDUSTRIAL



FOOD & PACKAGING

MARKETS



CONSUMER GOODS



LIFE SCIENCES

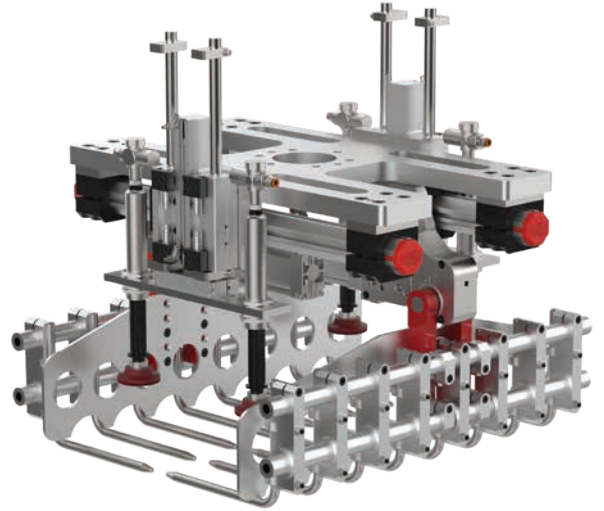
DBG SERIES

Bag Gripper and Palletizing Solutions | Options

PU(x)-SP

Pneumatic Slip Sheet Pick Option

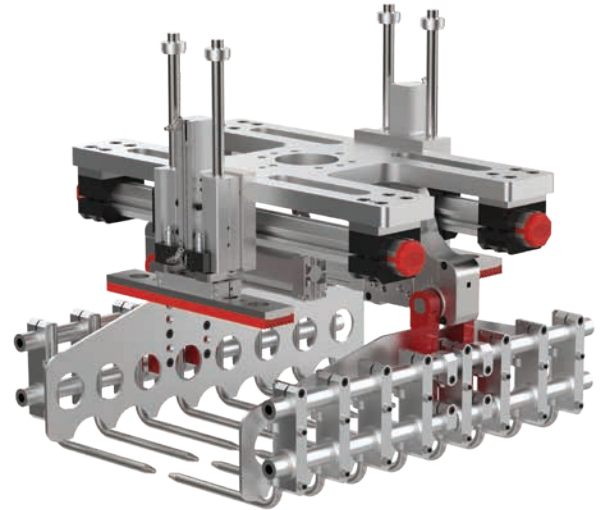
- In addition to the spring compensator option, a vacuum system can be added to the package which will handle the slip sheet.
- Eliminate the need for a second end effector or secondary operation
- 4" Stroke for DBG50-2 (PU4-SP)
(Add option weight of 5kg [11 lbs] to base model)
- 6" Stroke for DBG100-2 (PU6-SP)
(Add option weight of 10kg [23 lbs] to base model)



PU(x)-BU

Pneumatic Back-Up Option

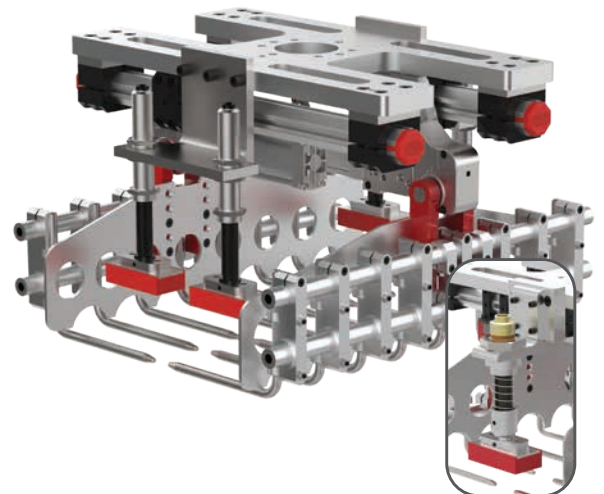
- The pneumatic compensator is extended to contact the product for additional stability and control while in motion.
- 4" Stroke for DBG50-2 (PU4-BU)
(Add option weight of 3.6kg [8 lbs] to base model)
- 6" Stroke for DBG100-2 (PU6-BU)
(Add option weight of 9kg [20 lbs] to base model)

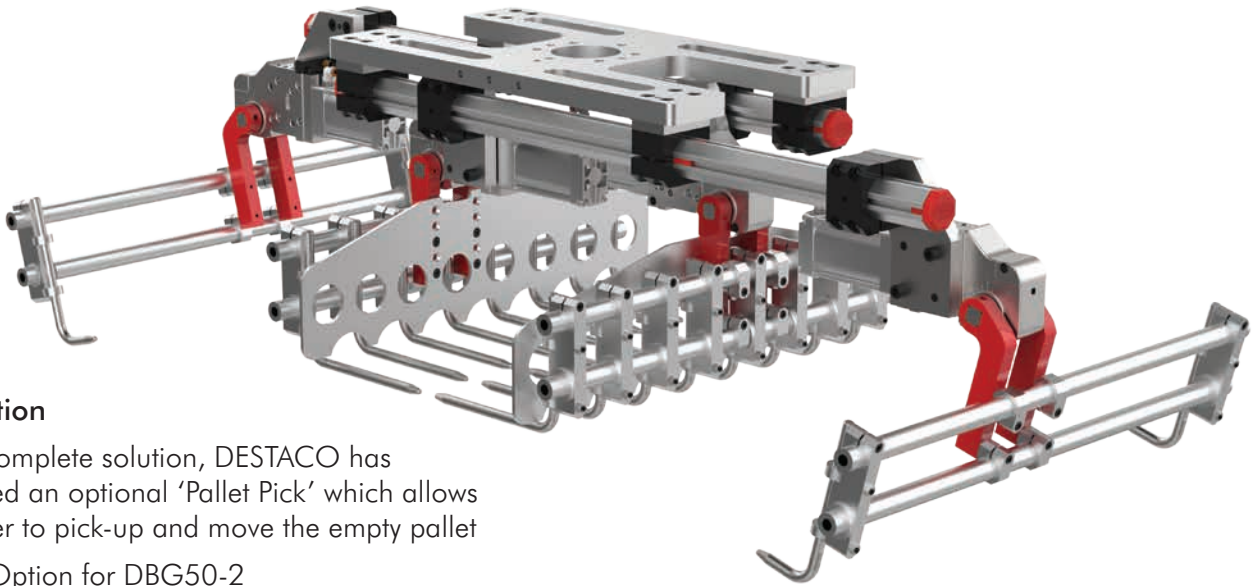


SU(x)

Spring Back-Up Option

- Simple, cost-effective solution
- Compression springs keep a constant pressure on the product
- Low cost solution maintains control of the product while in transport
- Spring Back-Up Option for DBG50-2 (SU2)
(Add option weight of 2.9kg (6.4 lbs) to base model)
- Spring Back-Up Option for DBG100-2 (SU3)
(Add option weight of 5.6kg (12.4 lbs) to base model)





PP

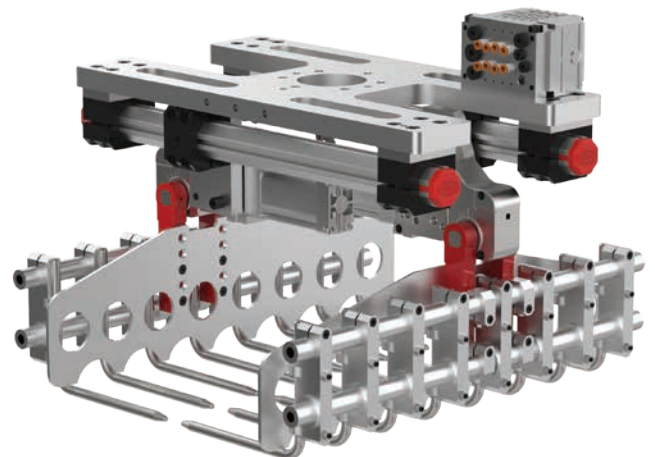
Pallet Pick Option

- To offer a complete solution, DESTACO has also included an optional 'Pallet Pick' which allows the customer to pick-up and move the empty pallet
- Pallet Pick Option for DBG50-2
(Add option weight of 13kg [29 lbs] to base model)
- Pallet Pick Option for DBG100-2
(Add option weight of 22kg [48 lbs] to base model)

CP

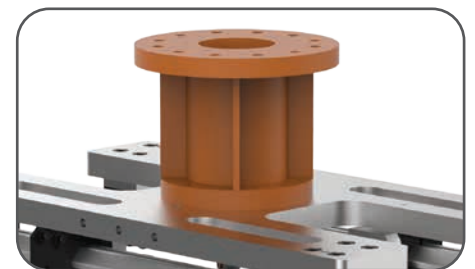
Controls Option

- Controls Options are configured based on the different bag gripper options ordered
(Add option weight of 2.3kg [5 lbs] to base model)



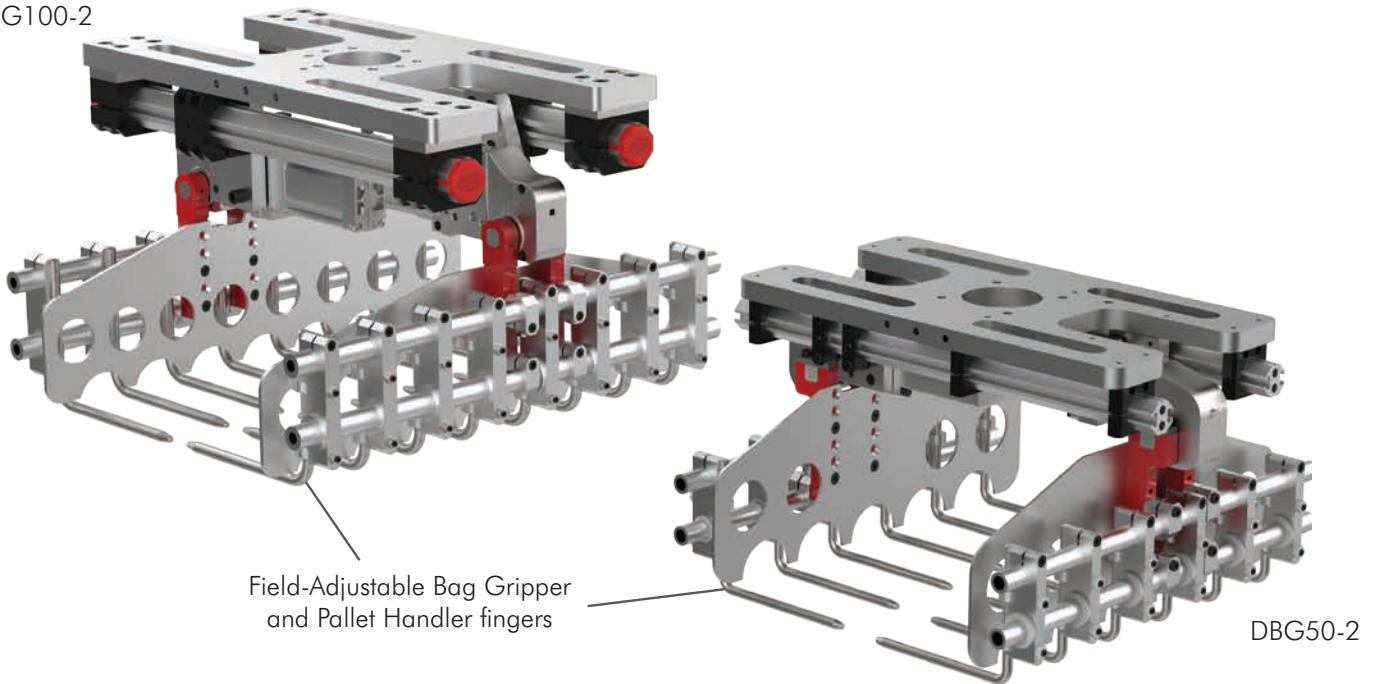
Robot Stand-Off Adaptor (Sold Separately)

- Aluminum welded construction
- Painted safety orange
- Available in 100, 125, 160 & 200mm bolt circles (Custom stand-offs available upon request)
- Bolts for mounting to bag gripper are included
- For DBG50-2 (Add option weight of 3kg [7 lbs] to base model)
- For DBG100-2 (Add option weight of 4kg [8 lbs] to base model)



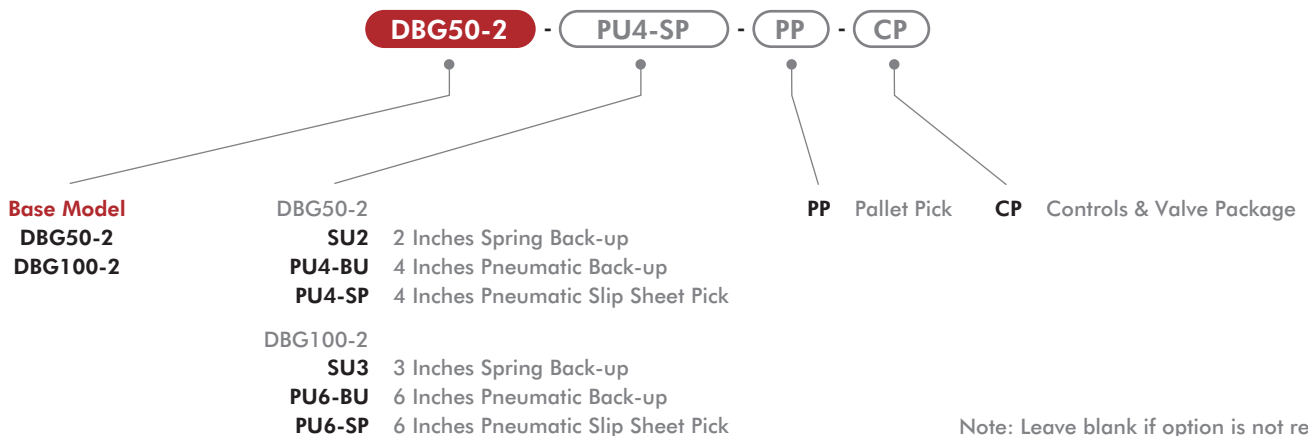
DBG Series Bag Gripper Technical and Ordering Information

DBG100-2


 Field-Adjustable Bag Gripper
 and Pallet Handler fingers

DBG50-2

Specifications	DBG50-2	DBG100-2
Unit Weight:	17kg [38 lbs]	43kg [95 lbs]
Maximum Payload:	23Kg [50 lbs]	45Kg [100 lbs]
Maximum Bag Size:	432 x 711 x 122mm [17 x 28 x 5 in]	610 x 1016 x 170mm [24 x 40 x 6.7 in]



DIMENSIONS AND TECHNICAL INFORMATION ARE SUBJECT TO CHANGE WITHOUT NOTICE.